

Electric Motors Performance Tables

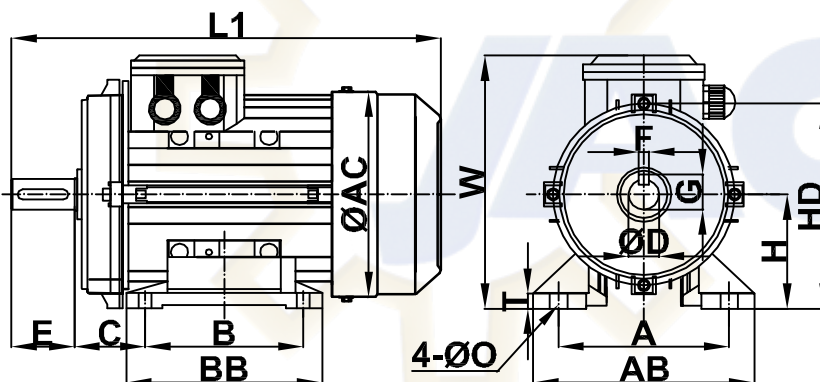
4P							n = 1500 r/min
Model	Power (kw)	Load (r/min)	Current (A)	Power Factor %	Torque (n.m)	Weight (kg)	
EM561406	0.06	1400	0.28	58	0.41	3.5	
EM562409	0.09	1400	0.39	61	0.61	3.5	
EM563412	0.12	1400	0.52	62	0.82	4.0	
EM631412	0.12	1400	0.43	72	0.82	4.0	
EM632418	0.18	1400	0.61	73	1.23	4.0	
EM633425	0.25	1400	0.86	67	1.71	4.5	
EM634437	0.37	1400	1.20	67	2.50	5.0	
EM711425	0.25	1400	0.76	74	1.71	5.2	
EM712437	0.37	1400	1.07	75	2.53	5.5	
EM713455	0.55	1400	1.66	70	3.75	6.5	
EM714475	0.75	1400	2.10	68	5.12	7.5	
EM801455	0.55	1400	1.54	75	3.75	7.8	
EM802475	0.75	1400	1.99	76	5.12	9.5	
EM8034110	1.1	1400	2.78	77	7.50	10.6	
EM90S4110	1.1	1400	2.80	77	7.40	11.5	
EM90L4150	1.5	1400	3.65	79	10.1	14.2	
EM100L14220	2.2	1400	5.05	81	14.8	19.7	
EM100L24300	3	1400	6.64	82	20.2	23.9	
EM112M4370	3.7	1435	7.53	86.5	25.3	46.0	
EM132S4550	5.5	1460	11.7	81.5	37.3	62.0	
EM132M4750	7.5	1465	15.0	85.5	49.6	73.0	
EM160M41100	11	1465	21.0	88.5	74.3	113	
EM160L41500	15	1470	29.1	86.5	98.8	130	
EM180M41850	18.5	1470	36.3	85.0	123.4	170	
EM180M42200	22	1475	43.4	84.0	147.6	178	

Electric Motors Performance Tables

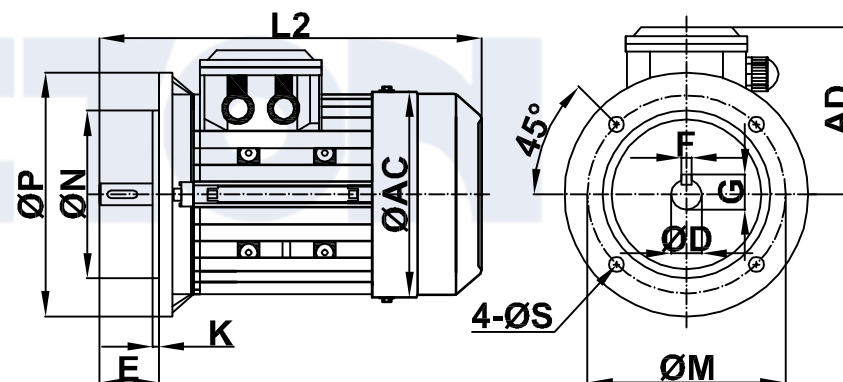
6P

n = 1000 r/min

Model	Power (kw)	Load (r/min)	Current (A)	Power Factor %	Torque (n.m)	Weight (kg)
EM711618	0.18	910	0.71	66	1.88	6.0
EM712625	0.25	910	0.92	68	2.62	7.2
EM801637	0.37	910	1.27	70	3.88	7.8
EM802655	0.55	910	1.74	72	5.77	9.2
EM90S675	0.75	910	2.23	72	7.78	11.6
EM90L6110	1.1	910	3.10	73	11.4	14.3
EM100L6150	1.5	910	3.89	75	15.2	18.5
EM112M6220	2.2	945	5.41	75.5	23.0	45.0
EM132S6370	3.7	965	8.78	76.0	37.6	60.0
EM132M6550	5.5	965	13.5	72.0	56.4	78.0
EM160M6750	7.5	960	16.0	81.5	75.6	113
EM160L61100	11	965	23.1	81.5	112.8	130
EM180M61500	15	975	31.8	80.0	148.9	194
EM180L61850	18.5	975	37.7	82.5	184.6	220
EM180L62200	22	975	43.8	84.0	219.5	229



B3 - Horizontal Type (Foot-Mounted)



B5 - Vertical Type (Flange-Mounted)

Electric Motors B3 B5 Dimensions

Frame No.	Dimensions (mm)																						
	A	AB	B	BB	C	E	H	HD	W	P	N	K	M	AC	AD	L1	L2	O	S	F	G	D	T
EM56	90	110	71	87	35	20	56	N/A	149	120	80	2.5	100	102	93	195	197	5.8	7	3	10.5	9	8
EM63	100	126	80	100	43	23	63	N/A	149	140	95	3	115	120	86	215	215	8	9.5	4	12.8	11	9
EM71	112	140	90	110	45	30	71	N/A	167	160	110	3.5	130	139	96	254	252	7	9.5	5	16.3	14	10
EM80	125	159	100	125	51	40	80	N/A	188	200	130	3.5	165	156	108	287	286	10	11	6	21.8	19	10
EM90	135	180	100 125	155	56	50	90	N/A	200	200	130	3.5	165	162	111	315 340	315 340	10	11	8	28.3	24	12
EM100L	160	200	140	175	63	60	100	N/A	250	250	180	4	215	196	150	389	390	12	15	8	32.3	28	14
EM112M	190	224	140	175	70	60	112	265	N/A	250	180	4	215	238	189	391	431	12	14.5	8	31	28	14
EM132S	216	250	140	175	89	80	132	310	N/A	300	230	4	265	273	224	454	454	12	14.5	10	41	38	16
EM132M	216	250	178	212	89	80	132	310	N/A	300	230	4	265	273	224	492	492	12	14.5	10	41	38	16
EM160M	254	300	210	250	108	110	160	377	N/A	350	250	5	300	334	263	608	608	14.5	18.5	12	45	42	18
EM160L	254	300	254	300	108	110	160	377	N/A	350	250	5	300	334	263	652	652	14.5	18.5	12	45	42	18
EM180M	279	355	241	297	121	110	180	431	N/A	400	300	5	350	382	305	672	672	14.5	18.5	14	51.5	48	22