

Helical Gear Reducer Output Torque & Parts Numbers

Ratio	Output (rpm)		Output Torque (N.m)													
			0.1KW		0.2KW		0.4KW		0.75KW		1.5KW		2.2KW		3.7KW	
	50HZ	60HZ	50HZ	60HZ	50HZ	60HZ	50HZ	60HZ	50HZ	60HZ	50HZ	60HZ	50HZ	60HZ	50HZ	60HZ
3	473	573	1.9	1.6	3.7	3.1	7	6	13	11	26	22	38	32	60	55
5	284	344	3.1	2.6	6.2	5.2	12	10	22	19	45	38	67	56	110	100
10	142	172	6.2	5.2	12.4	10.4	24	20	45	38	91	76	137	112	220	200
15	95	115	9.1	7.6	18	15	36	30	48	57	135	113	201	168	326	298
20	71	86	12	10	24	20	48	40	90	75	181	151	268	224	436	360
25	57	69	14	12	30	25	60	50	112	94	226	189	336	280	539	495
30	47	57	18	15	36	30	72	60	135	113	271	226	403	336	647	588
40	36	43	22	19	46	39	93	78	175	146	349	291	520	434	863	784
50	28	34	28	24	57	48	116	97	219	183	436	364	651	543	1070	970
60	24	29	34	29	69	58	139	116	262	219	524	437	781	651	1270	1150
70	20	25	43	36	80	68	162	135	315	263	624	520	925	771		
80	18	22	48	40	92	77	184	154	355	296	708	590	1050	875		
90	16	19	52	44	103	86	207	173	393	328	771	643	1130	943		
100	14	17	58	49	115	96	230	192	432	360	837	698	1260	1050		

Sample Parts Numbers: GRH - 22 - 400 - 5 - S - B

(1) (2) (3) (4) (5) (6)

(1) Mounting Types

GRH: Horizontal Type (Foot-Mounted)

GRV: Vertical Type (Flange-Mounted)

(2) Output Shaft Diameter (mm) 22: Ø22

(3) Power (W) 400: 400W

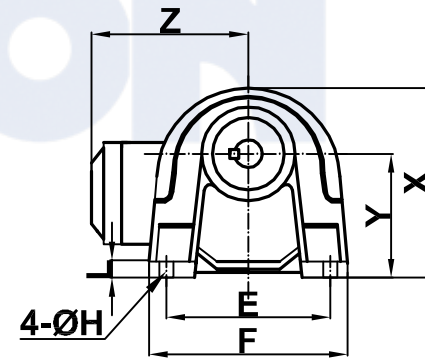
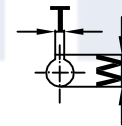
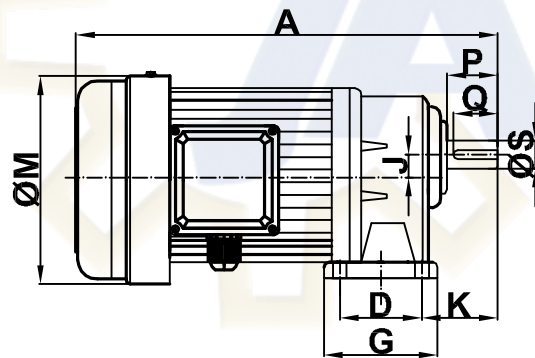
(4) Gear Ratio 5 = 5:1

**(5) S: Single Phase 220V (Max. 0.75kW)
T: 3-Phase, 220V~460V (For All Power)**

(6) B: Brake

GRH Helical Gear Reducer Dimensions (mm)

Power (kw)	Gear Ratio	A	D	E	F	G	H	L	J	K	M	X	Y	Z	Output Shaft Sizes					N.W. (kg)
															P	Q	S	T	W	
0.1	5-50	267	40	110	135	62	10	11	15.98	48	132	130	85	110	30	27	18	20	5	5.6
0.2	3-10	302	40	110	135	62	10	11	15.98	48	132	130	85	110	30	27	18	20	5	6.4
	12.5-25	302	40	110	135	62	11	11	15.98	48	132	130	85	110	30	27	18	20	5	6.8
0.4	3-10	334	65	130	158	90	11	13	18.17	60	165	150	98	125	40	35	22	25	7	12.6
	12.5-25	334	65	130	158	90	11	13	18.17	60	165	150	98	125	40	35	22	25	7	12.9
0.75	3-25	375	90	140	175	120	11	15	23.42	65	165	175	116	125	45	40	28	31	7	16.7
1.5	3-30	440	130	170	215	160	13	20	30.22	80	185	217	138.5	135	55	50	32	36.5	10	32.2
2.2	3-10	470	130	170	215	160	13	20	30.22	80	185	217	138.5	135	55	50	32	36.5	10	35.2
	15-150	508	150	210	260	190	15	21	42.2	85	185	255	160	135	65	60	40	43.5	10	48.1
3.7	3-10	526	150	210	260	190	15	21	42.2	85	215	255	160	170	65	60	40	44.5	10	55.5
	12.5-125	570	170	265	330	210	19	30	51.7	103	215	320	200	170	80	75	50	55.5	14	79.5



GRV Helical Gear Reducer Dimensions (mm)

Power (kw)	Gear Ratio	A	D	E	X	F	G	H	J	L	K	M	Y	Z	Output Shaft Sizes					N.W. (kg)
															P	Q	S	T	W	
0.1	5-50	267	50	140	99	120	120	10	15.98	12	41	132	5	110	30	27	18	20	5	5.5
0.2	3-10	302	50	140	99	120	120	10	15.98	12	41	132	5	110	30	27	18	20	5	6.5
	12.5-25	302	50	140	99	120	120	10	15.98	12	41	132	5	110	30	27	18	20	5	6.8
0.4	3-10	334	148	185	131	173	165	11	18.17	12	48	165	3	125	40	35	22	25	7	11
	12.5-25	334	148	185	131	173	165	11	18.17	12	48	165	3	125	40	35	22	25	7	11.8
0.75	3-25	375	170	220	155	204	195	11	23.42	13	56	165	4	125	45	40	28	31	7	15.1
1.5	3-30	440	185	255	180	240	225	13	30.22	16	68	185	4	135	55	50	32	36.5	10	37.5
2.2	3-10	470	185	255	180	240	225	15	30.22	16	88	185	4	135	55	50	32	36.5	10	40.5
	15-150	508	230	310	219	295	268	15	42.2	21	68	185	5	135	65	60	40	43.5	10	50.8
3.7	3-10	526	230	310	219	295	268	15	42.2	21	81	215	5	170	65	60	40	44.5	10	56.5
	12.5-125	570	280	390	276	360	320	19	51.7	22	81	215	5	170	80	75	50	55.5	14	79.5

