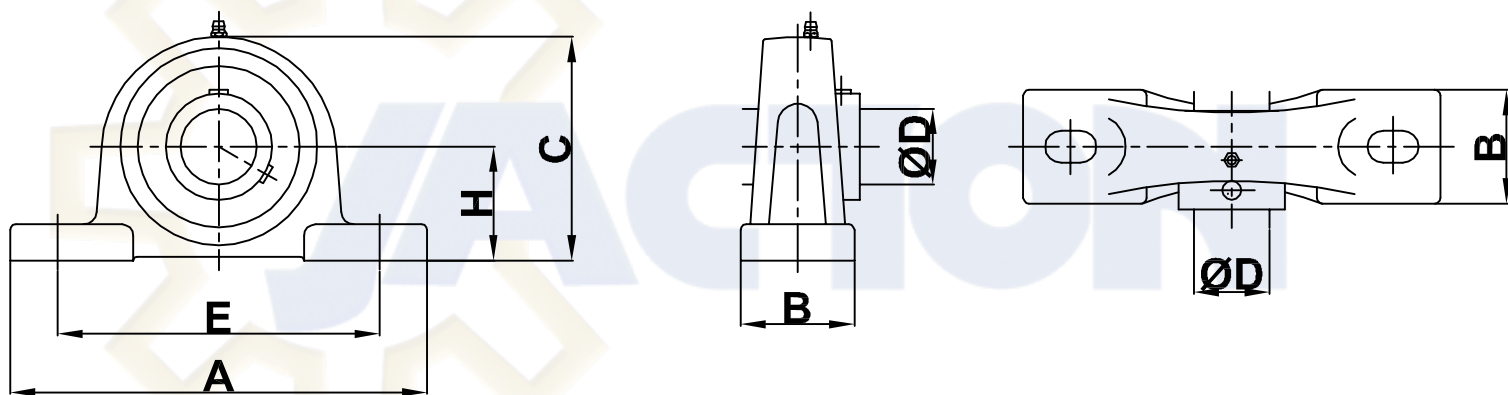


Pillow Block Bearing Units PBP200 Series

Model	Shaft Diam. ØD (mm)	Dimensions (mm)					Weight (kg)
		A	B	C	E	H	
PBP205	25	140	38	71	105	36.5	0.8
PBP206	30	165	48	83	121	42.9	1.3
PBP207	35	167	48	93	127	47.9	1.6
PBP208	40	184	54	100	137	49.2	2
PBP209	45	190	54	106	146	54	2.2
PBP210	50	206	60	114	159	57.2	2.8
PBP211	55	219	60	126	171	63.5	3.4
PBP212	60	241	70	138	184	69.8	4.8
PBP213	65	265	70	151	203	76.2	5.7
PBP214	70	266	72	157	210	79.4	7.0



Pillow Block Bearing Units PBP300 Series

Model	Shaft Diam. ØD (mm)	Dimensions (mm)					Weight (kg)
		A	B	C	E	H	
PBP305	25	175	45	85	132	45	1.6
PBP306	30	180	50	95	140	50	2.1
PBP307	35	210	56	106	160	56	2.8
PBP308	40	220	60	116	170	60	3.6
PBP309	45	245	67	129	190	67	4.7
PBP310	50	275	75	143	212	75	6.4
PBP311	55	310	80	154	236	80	7.8
PBP312	60	330	85	165	250	85	9.4
PBP313	65	340	90	176	260	90	10.3
PBP314	70	360	90	187	280	95	11.9

