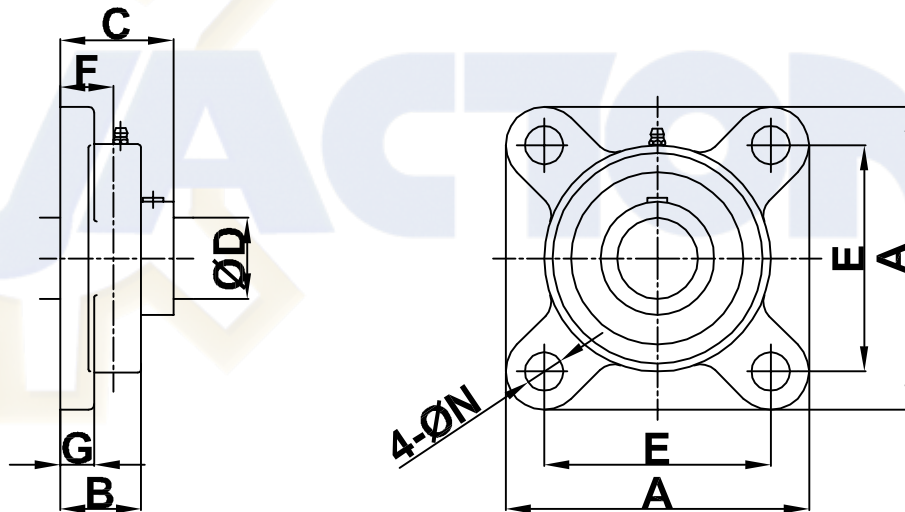


Flange Block Bearing Units FBF200 Series

Model	Shaft Diam. ØD (mm)	Dimensions (mm)							Weight (kg)
		A	B	C	E	F	G	N	
FBF201	12	86	25.5	33.3	64	15	12	12	0.6
FBF202	15	86	25.5	33.3	64	15	12	12	0.6
FBF203	17	86	25.5	33.3	64	15	12	12	0.6
FBF204	20	86	25.5	33.3	64	15	12	12	0.7
FBF205	25	95	27	35.7	70	16	14	12	0.9
FBF206	30	108	31	40.2	83	18	14	12	1.1
FBF207	35	117	34	44.4	92	19	16	14	1.5
FBF208	40	130	36	51.2	102	21	16	16	2.0
FBF209	45	137	38	52.2	105	22	18	16	2.2
FBF210	50	143	40	54.6	111	22	18	19	2.4
FBF211	55	162	43	58.4	130	25	20	19	3.5
FBF212	60	175	48	68.7	143	29	20	19	4.2
FBF213	65	187	50	69.7	149	30	20	19	5.3
FBF214	70	193	54	75.4	152	31	24	19	6.0



Flange Block Bearing Units FBF300 Series

Model	Shaft Diam. ØD (mm)	Dimensions (mm)							Weight (kg)
		A	B	C	E	F	G	N	
FBF305	25	110	29	39	80	16	13	16	1.2
FBF306	30	125	32	44	95	18	15	16	1.8
FBF307	35	135	36	49	100	20	16	19	2.2
FBF308	40	150	40	56	112	23	17	19	3.0
FBF309	45	160	44	60	125	25	18	19	3.8
FBF310	50	175	48	67	132	28	19	23	4.9
FBF311	55	185	52	71	140	30	20	23	5.6
FBF312	60	195	56	78	150	33	22	23	6.8
FBF313	65	208	58	78	166	33	22	23	7.8
FBF314	70	226	61	81	178	36	25	25	9.8
FBF315	75	236	66	89	184	39	25	25	11.6
FBF316	80	250	68	90	196	38	27	31	13.2
FBF317	85	260	74	100	204	44	27	31	15.2
FBF318	90	280	76	100	216	44	30	35	18.8

